

The Perfect Combination



Extension Device

TED-07 Orthopedic/Traumatologic Extension Device



BenQ
Medical Technology

**TED-07
Orthopedic /Traumatologic
Extension Device with Trolley**



Extension Device

7000 Series

Traumatological surgery

The Traction device can be rapidly equipped for traumatological surgery. The orthopedic-traumatological seat plate can be effortlessly attached after removal of the leg plate from the seat plate spars. The load-bearing elements of this seat plate are at the centre. As a result, in the area of the hips an excellent Mobile X Ray and C Arm X Ray access is achieved. The C Arm X Ray amplifier can also be used without restrictions in the case of extensions, the orthopedic / traumatological accessories are floor supports(option) for fix Traction device.

Orthopedic surgery

Here the same seat plate is utilized as for traumatological surgery. In place of the traction bars, orthopedic leg plates(option)are attached. The triangular shape of the seat plate makes an optimal wound opening possible and provides an excellent access to the operating field.



5600 Series

TED-07 IN VARIOUS SURGICAL PROCEDURES



Hip joint imaging X-Ray fluoroscopy

Double articulated traction beams and detachable hip sections ensure optimal positioning for fracture reduction and excellent imaging.

- Extension main frame : 1
- Perineal rod with holder : 1
- Pelvis support (Pelvis stopping bar) : 1
- Extension Device Support Poles : 2



Femur Plating Surgery Of Traumatology

Femur plating with the patient in lateral position, using the perineal support as the anchor point for counter-traction.

- Extension main frame : 1
- Clamp for Leg Plate (Left) : 1
- Leg plate (Left) : 1
- Arm board : 1
- Side-rail clamp : 1
- Raised Arm Rest : 1
- TED-07 Extension Device Support Poles : 2



Nailing of the neck of the femur Surgery

Patient positioning for neck of femur nailing with orthopedic leg plate.

- Extension main frame : 1
- Holder for leg holder : 1
- Clamp for Leg Plate (Right) : 1
- Leg plate (Right) :
- Leg crutch : 1
- Extension Device Support Poles : 2





Femoral / Interlocking nailing Surgery

Femoral surgery treatment; interlocking nailing with use of image intensifier in both planes.

- Extension main frame : 1
- Perineal rod with holder : 1
- Counter-traction post for the femur : 1
- Arm board : 1
- Side-rail clamp : 1
- Raised Arm Rest : 1



Tibia/Fibula Traction Surgery Of Traumatology

Closed reduction or external fixation of the lower leg; using Condyle Fixation for Tibia and Fibula to correct the direction of traction at right angles along the tibia and fibula axis for proximal fracture being operated in traction.

- Extension main frame : 1
- Holder for leg holder : 1
- Pelvis Support (Pelvis Stopping Bar) : 1
- Leg crutch : 1
- Knee support : 1
- Side-rail clamp : 1



Femur Treatment

Interlocking nailing; the uninjured leg is resting on a knee crutch.

- Extension main frame : 1
- Holder for leg holder : 1
- Leg crutch : 1
- Side-rail clamp : 1
- Traction Bow : 1



ACCESSORIES

Standard Accessories



01
2101-0000-0251
TED-07 Extension Clamp



02
2101-0000-0244
TED-07 Counter-Traction Post for The Femur



03
2101-0000-0240
TED-07 Knee Support



04
2101-0000-0245
TED-07 Pelvis Support



05
2101-0000-0246
TED-07 Lower Leg Support



06
2101-0000-0329
Holder for Leg Holder



07
2101-0000-0330
Perineal rod with holder



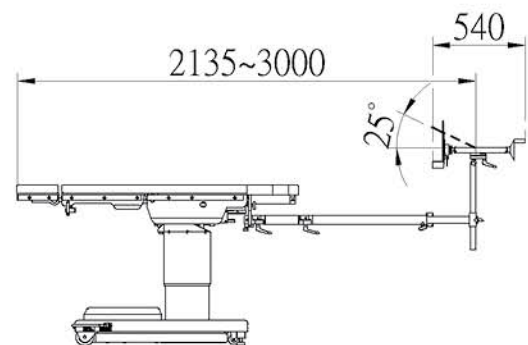
08
1101-6680-0016
TED-07 Extension Device Trolley



09
Y02-0500-0070
TED-07 Extension Device Support Poles

TED-07 Technical Data

- Length 1080 ~ 1660 mm
- Width 725mm
- Height 760~1070mm (5600SF)
685~1135mm (7000SF)
- Traction Unit
Traction Distance :225mm



Optional Accessories



01
2101-0000-0345
Leg Crutch



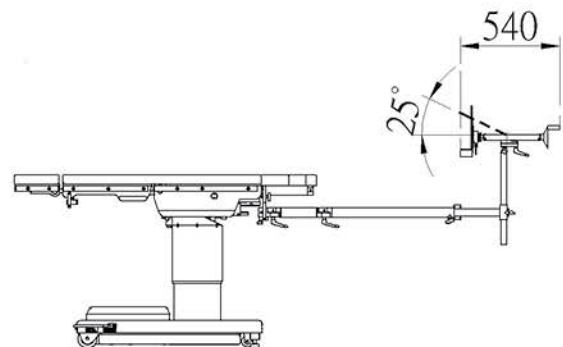
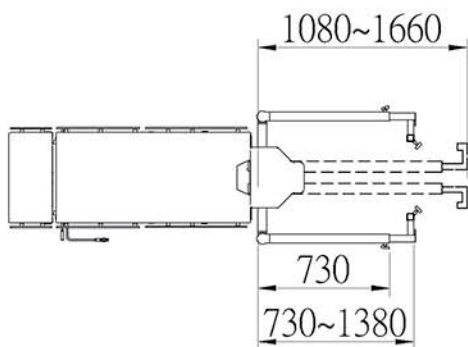
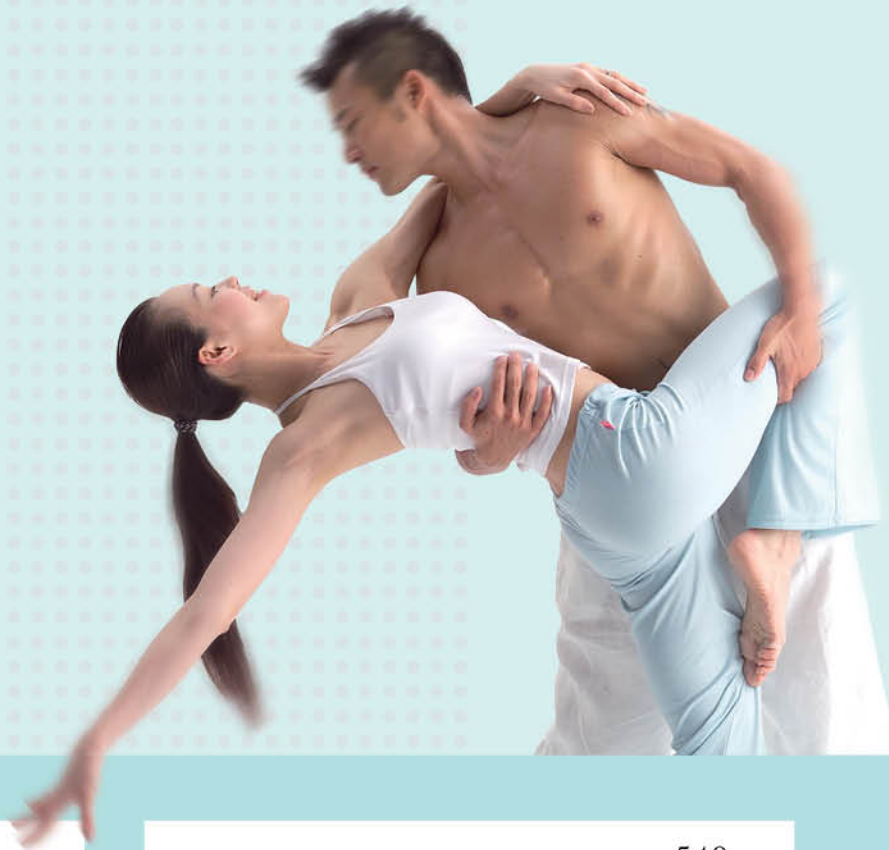
02
2101-0000-0327 (Left)
2101-0000-0328 (Right)
TED-07 Clamp for Leg Plate



03
2101-0000-0326 (Left)
2101-0000-0252 (Right)
TED-07 Leg Plate



04
2010-0000-0364
Side-Rail Clamp





BenQ Medical Technology Corp.

Headquarter

7FL 46 Zhou-z St., Neihu Dist.,
Taipei 11493, Taiwan

Factory

7, Kung 5 Rd., Linkou Dist.,
New Taipei City 24452, Taiwan

Tel 886-2-8797-5080

Fax 886-2-8797-5070

www.BenQMedicalTech.com

info@BenQMedicalTech.com



BenQ
Medical Technology